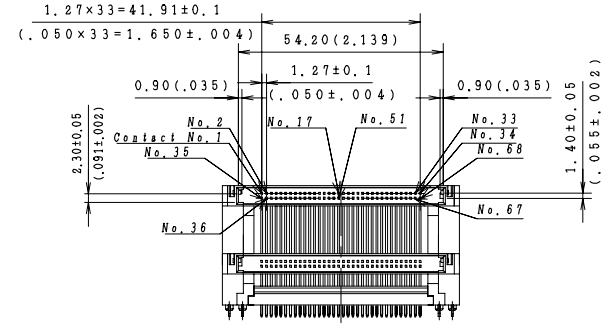
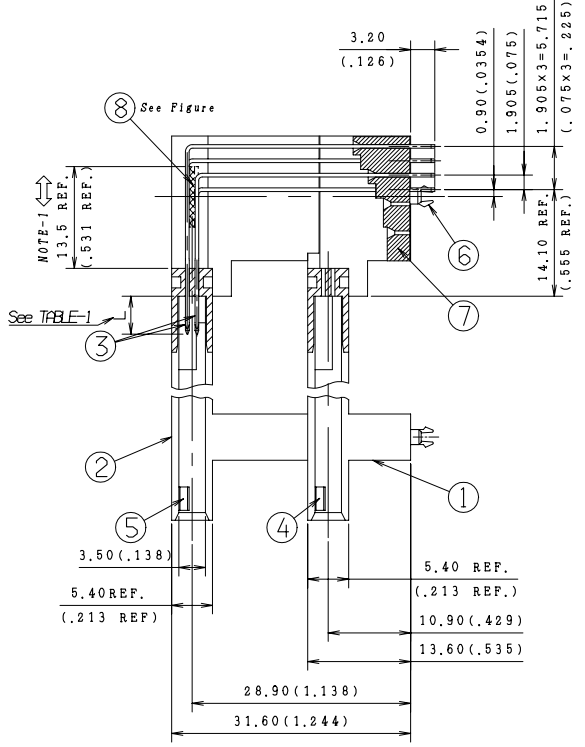
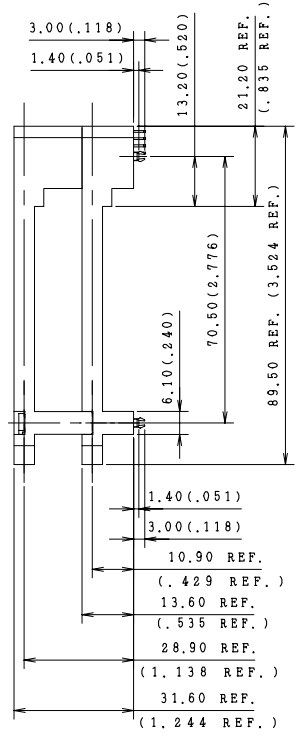
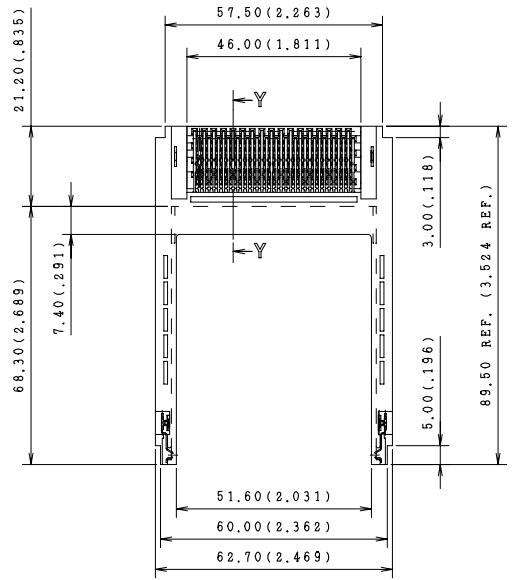
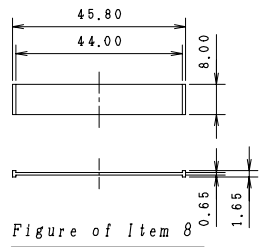
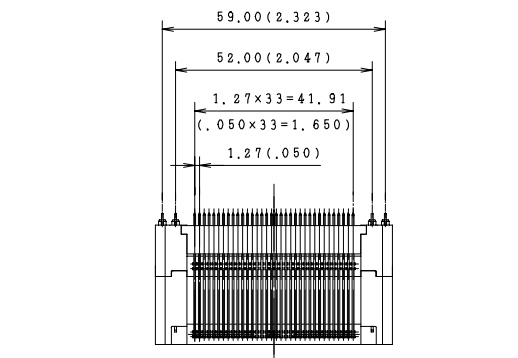


| REV. | DATE          | ZONE | DESCRIPTION                                 | DESIGNED     | CHECKED      | APPROVED                 |
|------|---------------|------|---|--------------|--------------|--------------------------|
| A    | Apr. 22, 2004 |      | Initial issued                              |              |              |                          |
| B4   | Apr. 29, 2004 |      | Changed voltage key from 5V to Low Voltage. | J. Mochiyama | H. Takahashi | M. Hida<br>Apr. 29, 2004 |
| C    | Jun. 15, 2005 |      | Addition lead free plating                  | Sanchart S.  | S.Misawa     | M. Hida<br>Jun. 15, 2005 |



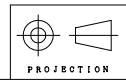
NOTE

1. Spacer of item ⑧ moves in the direction of the arrow of shown in the figure within the range of 13.5mm dimension, and the position is not fixed.

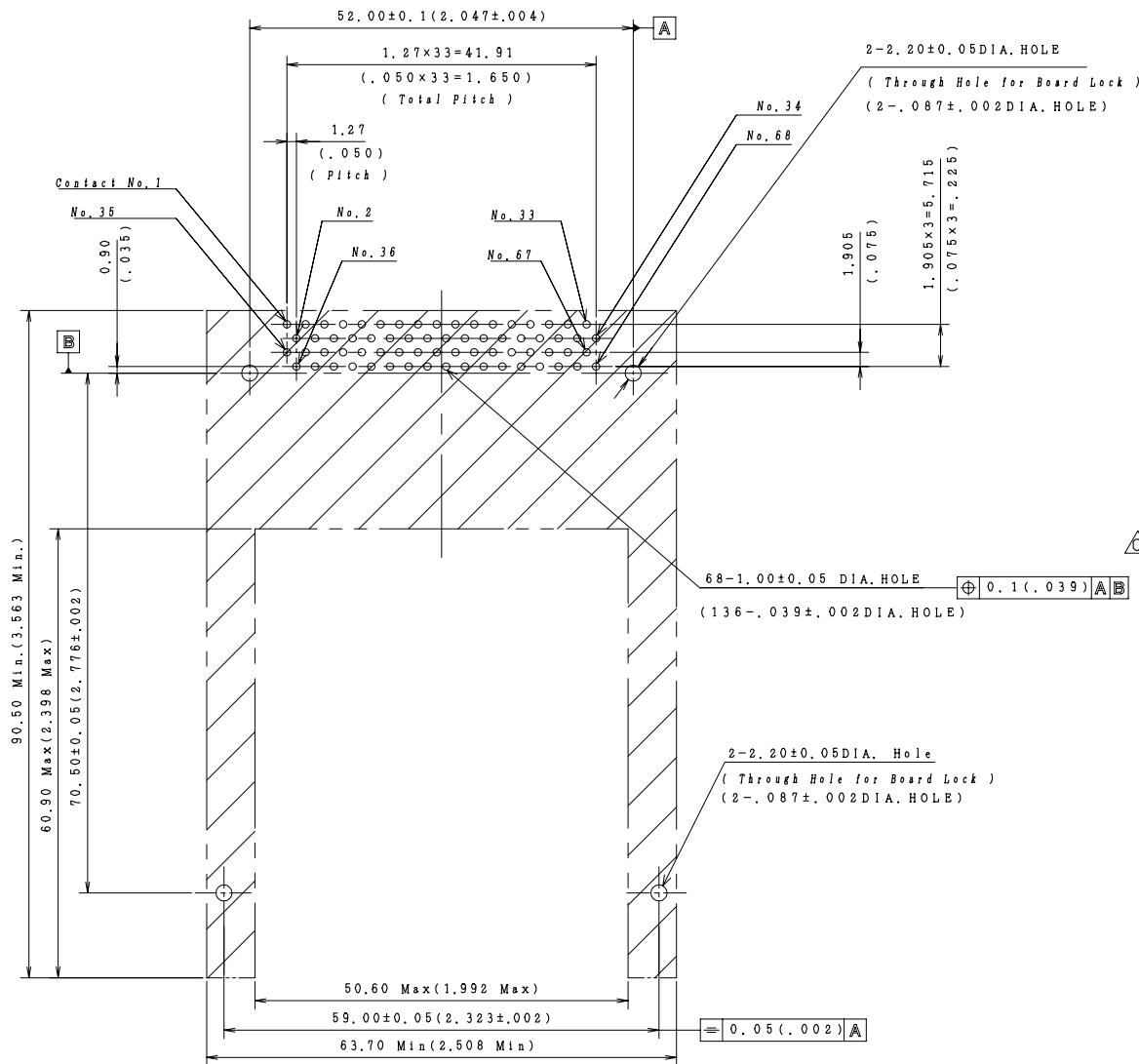
| QTY. | ITEM | PART NAME              | MATERIAL       | FINISH, OTHER               |
|------|------|------------------------|----------------|-----------------------------|
| 1    | 8    | Spacer                 | Thermo Plastic | Color: Black, UL94V-0 Rated |
| 1    | 7    | Locator                | Thermo Plastic | Color: Black, UL94V-0 Rated |
| 2    | 6    | Board Lock             | Copper Alloy   | See TABLE-2                 |
| 2    | 5    | Grounding Clip (Upper) | Copper Alloy   | See TABLE-2                 |
| 2    | 4    | Grounding Clip (Under) | Copper Alloy   | See TABLE-2                 |
| 68   | 3    | Pin Contact            | Copper Alloy   | See TABLE-2                 |
| 1    | 2    | Housing (Upper)        | Thermo Plastic | Color: Black, UL94V-0 Rated |
| 1    | 1    | Housing (Under)        | Thermo Plastic | Color: Black, UL94V-0 Rated |

TABLE-1 (Contact Configuration)

| Contact Number                        | Contact Type | L : Contact Length    |
|---------------------------------------|--------------|-----------------------|
| Contact Number: 1, 17, 34, 35, 51, 68 | Power/Ground | 5.00±0.10 (.197±.004) |
| Contact Number: 36, 67                | Detect       | 3.50±0.10 (.138±.004) |
| All Other Contacts                    | General      | 4.25±0.10 (.167±.004) |



| APPROVED      | DESIGNED      | GENERAL TOLERANCE        | TITLE                      |
|---------------|---------------|--------------------------|----------------------------|
| M. Hida       | J. Mochiyama  | DIMENSIONS ±0.30 (0.012) | ANGLE ±5°                  |
| Apr. 22, 2004 | Apr. 22, 2004 | SCALE 2/1                | UNIT mm (inch)             |
| H. Takahashi  | K. Takei      |                          | DRAWING NUMBER C20218(1/2) |
| Apr. 22, 2004 | Apr. 22, 2004 |                          | REV. C                     |



| REV. | DATE          | ZONE | DESCRIPTION | DESIGNED | CHECKED | APPROVED |
|------|---------------|------|-------------|----------|---------|----------|
| B    | Apr. 29, 2004 |      |             |          |         |          |
| C    | Jun. 15, 2005 |      |             |          |         |          |

Part Numbering Code

MCD-W768PB-5B-xx  
 1 2 3 4 5 6 7 8 9

- Series Name  
MCD: DDK Memory Card Connector Series
- Quantity of slot  
W: 2 slot type but 1 slot only available
- Contact Mating Side Pitch  
P: 1.27 mm
- Number of Contact  
68: 68 Contacts
- Mating Style  
P: Plug Connector
- Connector Style  
B: B Type
- Contact Plating Specification  
5: See TABLE-2
- Type of Voltage Key  
B: Low Voltage Key Type
- Type of Contact Plating  
Non identification: Tin-Lead plating  
-FA: Tin-Silver(Lead Free) Plating

TABLE-2

Metal Part of Tin-Lead Plating Specification

| Part Number    | Mating Area   | Termination Area             |
|----------------|---|------------------------------|
| Pin Contact    | Gold( 0.20 μm ( 8 μinch ) Minimum ) over Nickel Plating | Tin-Lead over Nickel Plating |
| Grounding Clip | Gold Flash over Nickel Plating                          | Tin-Lead over Nickel Plating |
| Board Lock     | Tin-Lead over Nickel Plating                            |                              |

Metal Part of Tin-Silver Plating Specification

| Part Number    | Mating Area   | Termination Area               |
|----------------|---|--------------------------------|
| Pin Contact    | Gold( 0.20 μm ( 8 μinch ) Minimum ) over Nickel Plating | Tin-Silver over Nickel Plating |
| Grounding Clip | Gold Flash over Nickel Plating                          | Tin-Silver over Nickel Plating |
| Board Lock     | Tin-Silver over Nickel Plating                          |                                |

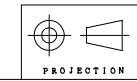
The Direction of Inserting Card  
 Recommended PCB Mounting Dimensions

Connector Mounting Side View  
 Recommended PCB Thickness  
 t=1.60±0.19 (.063±.007)

Do not mount other parts in this area.

Specifications

- Voltage Rating  
: 125 Volt AC( rms )
- Current Rating  
: 0.5 Ampere/Contact
- Dielectric Withstanding Voltage  
: 500 Volt AC( rms ) for 1 Minute at Sea Level
- Insulation Resistance  
: 1000 Mega Ohm Minimum at 500 Volt DC



| QTY.   | ITEM          | PART NAME     | MATERIAL          | FINISH, OTHER |
|--|---------------|---------------|-------------------|---------------|
|  | APPROVED      | DESIGNED      | GENERAL TOLERANCE |               |
|  | M. Hida       | I. Washizuma  | DIMENSIONS        | ANGLE         |
|  | Apr. 22, 2004 | Apr. 22, 2004 | ±0.30<br>(±.012)  | ±5°           |
|  | CHECKED       | DRAWN BY      | SCALE             | UNIT          |
|  | H. Takahashi  | K. Takei      | 1/1               | mm            |
|  | Apr. 22, 2004 | Apr. 22, 2004 |                   | (inch)        |
| TITLE  |               |               |                   | FINISH, OTHER |
| POMCIA, 68-Pin, Pin Connector With 20.5mm Stand-off Type, DIP Type |               |               |                   |               |
| MCD-W768PB-5B-XX   |               |               |                   |               |
| DRAWING NUMBER   |               |               |                   | REV.          |
| C20218(2/2)  |               |               |                   | C             |