

SM Fiber Couplers

Telcordia GR-1221-
CORE and GR-1209-
CORE qualified.



Features

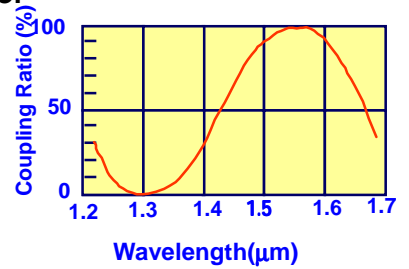
- ↪ High Reliability
- 40 to +85°C
- ↪ Low Insertion loss
- ↪ Low PDL

Application

- ↪ DWDM System
- ↪ CATV
- ↪ Monitoring
- ↪ MUX and DMUX

WDMs : Wavelength Division Multiplexer

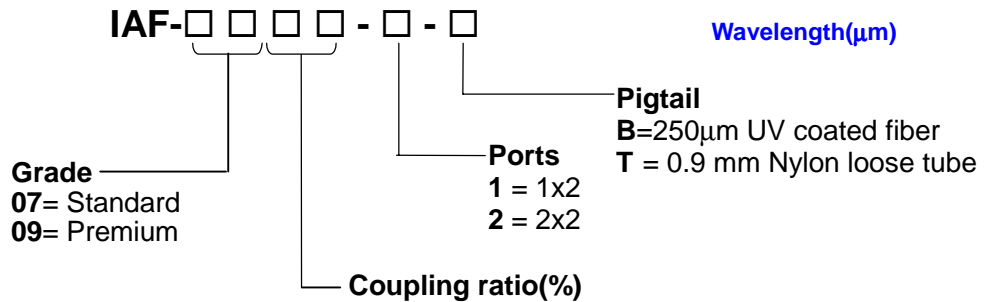
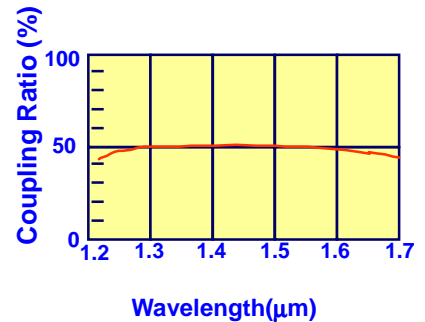
DAF-0300 1480/1550nm WDM for EDFAs
 DAF-0400 980/1550nm WDM for EDFAs
 DAF-0500 1310/1550nm WDM for Subscriber



WBCs : Wide Band Coupler

Constant coupling ratio in wide wavelength range
 Dual window type Wide Band Coupler
 1260 to 1360nm & 1480 to 1580nm

IAF-07series Standard Type
 IAF-09series Premium Type



TAPs : A small part of power is tapped stably.

TAS-0401 1550nm 1% coupling TAP (20dB)
 TAS-0405 1550nm 5% coupling TAP (13dB)
 TAS-0410 1550nm 10% coupling TAP (10dB)
 Preliminary 14xx nm 1~5% Tap coupler

