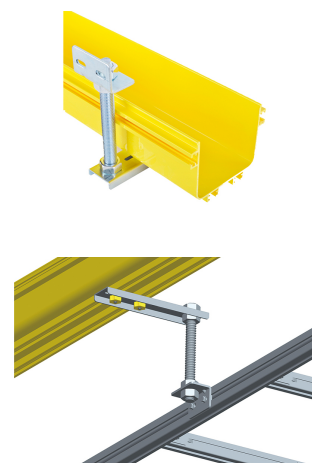


Fiber Raceway Ladder Rack Side Support Kit



Fiber raceway system is designed to protect, manage and route fiber optic cable assemblies and patch cords to and from network cabinets, optical distribution frames (ODFs) and other terminal devices within data centers. Fiber raceway system provides the necessary fiber cable management to ensure network reliability by:

- Maintaining proper fiber cable bend radius control at all points
- Providing fiber cable physical protection from external elements
- Enabling easy access to fiber cables
- Providing necessary fiber cable slack management
- Properly defining routing paths throughout the data center

Fiber raceway system offers L-shape hanger kits that are used to support the 4"x5" or 4"x10" system by spanning two existing threaded rod drops. Can be installed from above or below.

FEATURES/BENEFITS

- Easy and Quick Tool-less assembly
- All plastic parts reach UL94-V0 level of flammability
- RoHS compliant
- Zinc coat steel, 2.0mm thickness
- Up to 80kg load capacity
- Installation Temperature : -25° ~ +60°C

APPLICATIONS

- Data Center
- Service Provider facility

ORDERING INFORMATION

PART NUMBER	PRODUCT DESCRIPTION
AFLA03011	Ladder Rack Side Support Kit(for W=240mm Fiber Raceway)



SCAN QR FOR PRODUCT PAGE

FURTHER INFORMATION

- For additional information please contact your sales representative
- To view the product 360 visit the product page (Scan the QR code or visit the link below)
- Downloaded from <https://www.fujikura-telecom.com/product/lshape-hanger-kit-fiber-routing-tray>
- Fujikura reserves the right to make changes in this datasheet at any time without notice
- Information in this document is correct as of January 08, 2020

FUJIKURA EUROPE

C51 Barwell Business Park
Leatherhead Road, Chessington
Surrey, KT9 2NY
United Kingdom